

FireFly API 000

Training & Indoor Cycling

TFT Model Only



Table of Contents

1	Important Notice.....	1
2	Safety Precautions.....	1
3	Assembly	4
3.1	Parts List	6
3.2	Assemble Steps	8
4	Preparation	14
4.1	Placement of the Equipment	14
4.2	Adjusting the Training & Indoor Cycling.....	15
4.3	Resistance/Brake	18
4.4	Calibration Resistance Level	19
4.5	Moving Guideline	20
5	The Electronic Console	21
	Operation Overview	22
5.1	Set up Mode.....	24
5.1.1	Record	24
5.1.2	Activity.....	24
5.1.3	System	24
5.1.4	User	24
5.1.5	Light Setting.....	25
5.1.6	Sensor.....	25
5.2	Activity Mode	26
5.2.1	Quick Start.....	26
5.2.2	Start with Training Goal.....	28
5.2.3	FTP Test (Functional Threshold Power Test)	29
5.3	Application and Compatibility.....	30
5.4	Heart Rate Zone Indicator	32
5.5	FTP Zone Indicator.....	33
5.6	Watt Zone Indicator	35
6	Maintenance	36
7	Specification	38
8	Appendix	39
8.1	Exploded View.....	39
8.2	World Time Zone Table	41

8.3	Charging	42
8.4	Pairing with NFC	43

1 Important Notice

FireFly AP1000 Training & Indoor Cycling is referred to as “bike” or “equipment” in this operation guide.

Please Keep the Manual in Good Condition

- Please thoroughly read and follow the instructions for assembling or using the equipment. If you have any questions please contact your local distributor or visit our website: ATTACUSfitness.com.
- For your safety, please take safety measures and follow the instructions. Keep this manual in good condition for future reference.
- The owner of the equipment has the sole responsibility ensuring that all the instructions and safety measures are learned and followed by the users.
- You can download the most up-to-date user’s guide from our website: ATTACUSfitness.com.

2 Safety Precautions

Warning!! To reduce the risk of burns, fire, electric shock, or personal injury, please observe the following:

- Please follow the instructions from the manual.
- **DO NOT** add additional components, attachments, or accessories that have not been recommended by the manufacturer.
- Please check the components on a regular basis. Keep the components tightly installed. Please do not use the equipment when there is any malfunction, damage, or missing parts and contact your distributor for maintenance or for spare parts for the damaged/missing component. Do not use the equipment before it is well-maintained.
- ATTACUS is not responsible for any personal injury or death caused by faulty assembly, self-modification/disassembly, or any other ways the user fails to follow the manual.
- Improper training and/or overtraining can cause serious physical injury or death. If you are experiencing any kinds of pain, nausea, dizziness, shortness of breath, etc., Stop exercising immediately and consult a doctor.
- It is highly recommended for you to consult your doctor and run a full health check to find a proper and appropriate exercise program if you are any of the following: pregnant, having chronic health condition like hypertension and cardiovascular diseases, smoking, over 45 years old, obese, or not having proper exercise routines for more than one year.
- This equipment is not suitable for anyone who is poor in physical, sensory, or mental capacity. Children under 13 years old are not allowed to use the equipment. Please do

not let children or pets near within 10 inches (3 meters).

- The persons with reduced physical, sensory or mental capabilities, or lack of knowledge, and the adolescent from 13 to 19 years, or the aged over 65 should not be on the equipment without proper and constant supervision by a potter/supervisor.
- Please do not attempt improper use of the product, such as leaping onto, or standing on the handlebar, saddle, or any parts that are not the pedals.
- Please place the indoor bike in an indoor environment with a flat and stable floor. It is highly recommended to put the bike on a shock and sound-absorbing mat to protect the floor and enhance the quality of use.
- Please keep the surrounding area clear for 2 ft (0.6meter) on all sides.
- Under any circumstances, the equipment is for one person to use only. Do not have more than one user using it simultaneously.
- Maximum user weight limit: 350 lb (159 kg).
User height limit: 200 cm (5 ft 9 in to 7 ft 87 in).
- Please be sure all the adjustment knobs are tightened before using.
- Please adjust the handlebar, seat, resistance, and pedal straps according to your own physical condition to prevent any discomfort and injury. When adjusting the seat and handlebar, please hold the adjusting part with one hand to prevent the parts falling or any danger.
- Please be sure to wear proper exercise attire. Wearing loose blouse or having your shoelaces loosen may caused injury or death when the loose parts being grind into the machine.
- Please be mindful and avoid putting any part of the body or other external object into any open gaps, moveable and/or mechanical parts of the indoor bike. Please do not turn the pedals with your hands.
- Obtrusive parts, such as the Resistance Knob (brake), may hinder user's movement, please beware of these parts when using the equipment.
- Please maintain proper posture and body position to achieve a safe, comfortable and effective workout. Refer to the sections [4.2 Adjusting the Training & Indoor Cycling](#).
- This equipment does not have a freewheel. This means the momentum of the wheel may cause the pedal to turn even when you have stopped pedaling.
- Do not remove your feet from the pedal cages until the wheel and the pedals have stopped completely. Failure to do so may result in serious injury. The still turning pedals may trip or hit the people around and cause serious injury or death.
- If you would like to stop the wheel immediately, please press the red knob.
- When the bike is not being used, be sure to add on full resistance to prevent it from spinning or causing any potential harm to the personnel around.
- This equipment is for indoor use only. Please avoid keeping the equipment in places with extreme temperature and humidity, or is dusty or susceptible to the splash of water and fluid.

Warning!

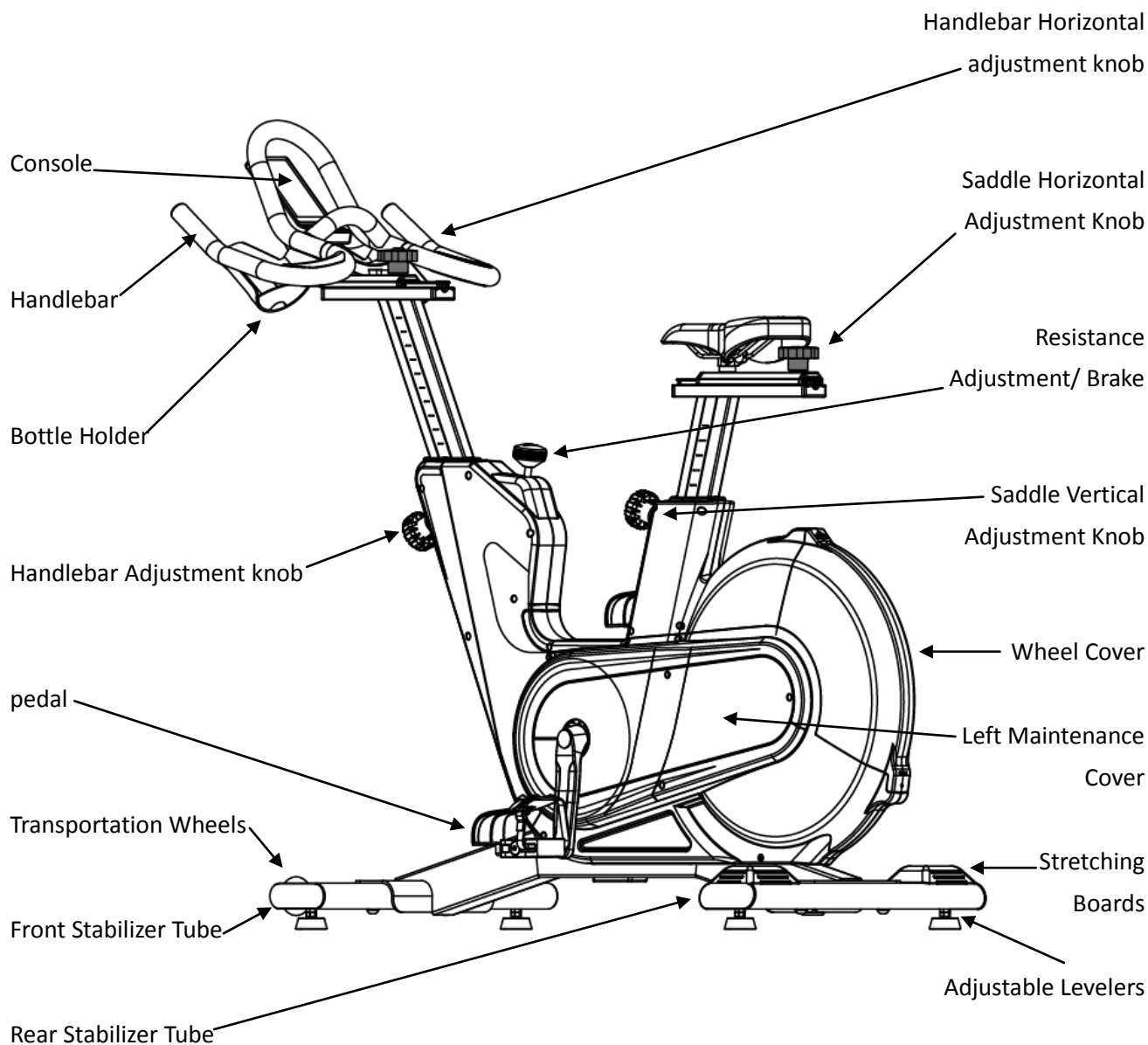
- Use the stationary training equipment in a supervised environment.
- Please consult your physician before starting any exercise plan. Improper training or overtraining can result in serious injury or death.
- Please be sure to read through and be familiar with the instructions and cautions from this guide. This will reduce the potential for injury and insure your safety.
- If the equipment has been exposed to low temperature or humid environment, it is highly recommended to leave it at room temperature and/or dry it before using. Using the bike in the aforementioned circumstance might shorten the lifespan of electronic parts.

3 Assembly

Please thoroughly read through the manual before assembling. If you have any questions, please consult your distributor or see more information on our website:

ATTACUSfitness.com. Please have your model number and serial number ready when you call.

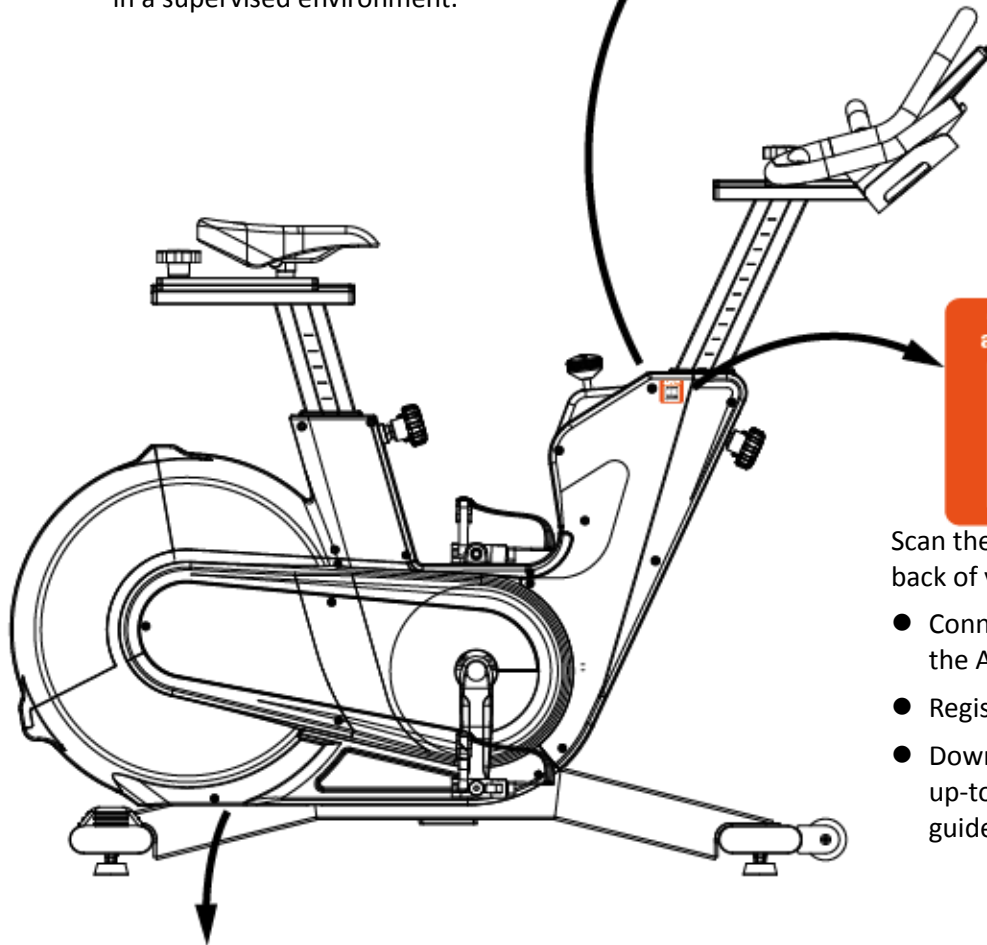
Parts List:



Product information:

WARNING!

- Heart rate monitoring systems may be inaccurate. Over exercise may result in serious injury or death. If you feel faint stop exercising immediately.
- Use the stationary training equipment in a supervised environment.



Scan the QR Code on the back of your device to:

- Connect and pair with the APPs.
- Register the product.
- Download the most up-to-date operation guide.



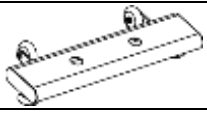
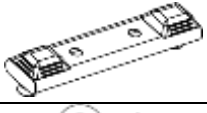





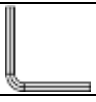

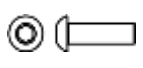


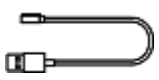
Please be sure to have your model name and serial number ready before calling the customer service. The model name and serial number can be found on the right side near the rear end.

Model: AP1000

SN:

			P	1	0	0	4				
--	--	--	---	---	---	---	---	--	--	--	--

3.1 Parts List

	Image	#	Specification
Components		1	Front Stabilizer Tube
		1	Rear Stabilizer Tube
		1	Handlebar (installed)
		1	Saddle
		2	Pedal
		2	Adjustment Knob
		2	Slide Gasket
Included Tools		1	6mm Hex Wrench or Allen Key
		1	Open-ended Wrench/ Screwdriver
Tool Pack		4	Socket Button Head Cap Screw (M10×1.5×20L)
		6	Washer ($\varnothing 25 \times \varnothing 10 \times 2t$)
		2	Cable Tie
		1	Console Charging Cable

Attention!

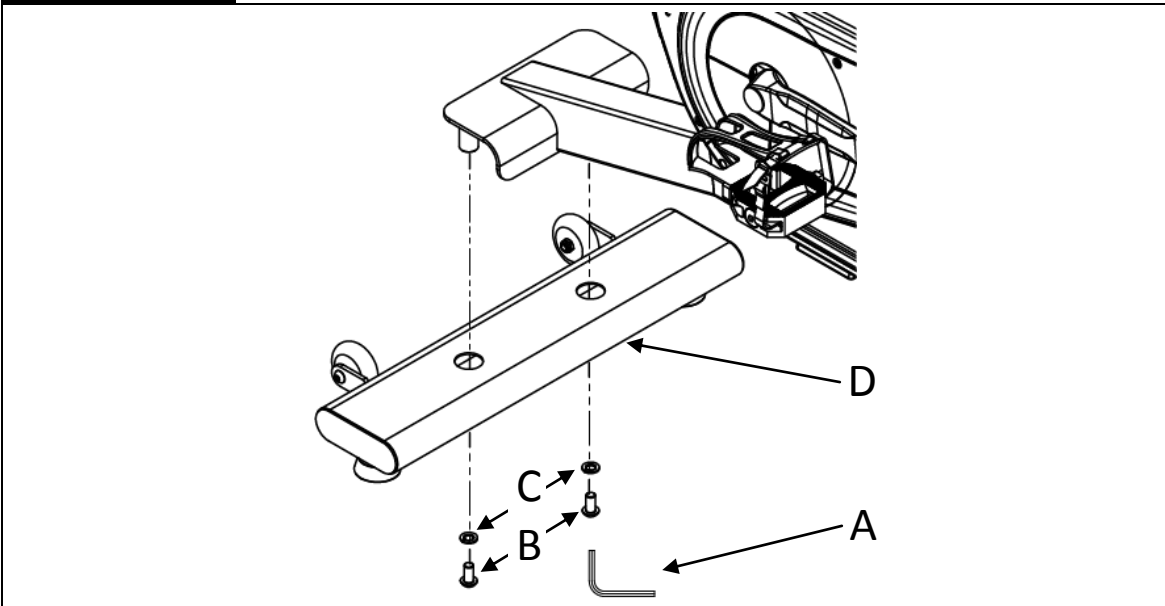
- Please follow the instructions for assembly to ensure all the components are all set and tightened. Failure to follow the correct steps may cause damage to the equipment and make unsettling noises. Using equipment that is improperly assembled may lead to serious injury and death.
- If you have any questions or the equipment has any missing parts, please contact your distributor or dial in the customer service number on the maintenance card.
- The equipment should be assembled by at least 2 persons. **DO NOT** attempt to pull


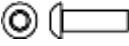

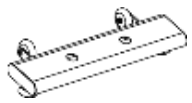
up the bike with single arm because some parts can be heavy. Assembling alone may lead to serious injury and damage to the equipment when parts are dropped.

- When the product arrives, please carry it carefully. Place the carton box on a flat surface. Do not open the box when it is placed on its side to prevent parts from falling out.
- It is highly recommended for you to place a mat on the floor to protect your flooring.
- Please unpack and assemble the product on a set location to reduce unnecessary moving.
- Please be careful when removing the cable ties on the package exterior. The cable ties outside the box may produce strong momentum; it might bounce off and snap on the people around if not cautiously removed.
- When unpacked, please place all the components in a clear area to enhance the assembling process.
- Please follow the proper instructions. When performing each step, please be sure all the screws and bolts are in place and partially tighten. Please tighten all the screws and bolts when all are in place.
- Please be sure all the loose components are fixed and tightened. Please do not reduce the number of screws and/or bolts used to prevent unwanted danger and harm.
- Some parts are pre-lubricated to help with the assembly. Do not wipe off the grease. If you have encountered difficulty when assembling, you can apply some grease when assembling. It is recommended to use lithium-based grease.
- Unauthorized personnel are prohibited to remove the maintenance covers.
- Before the assembly is completed, do not throw away the packaging material.

3.2 Assemble Steps

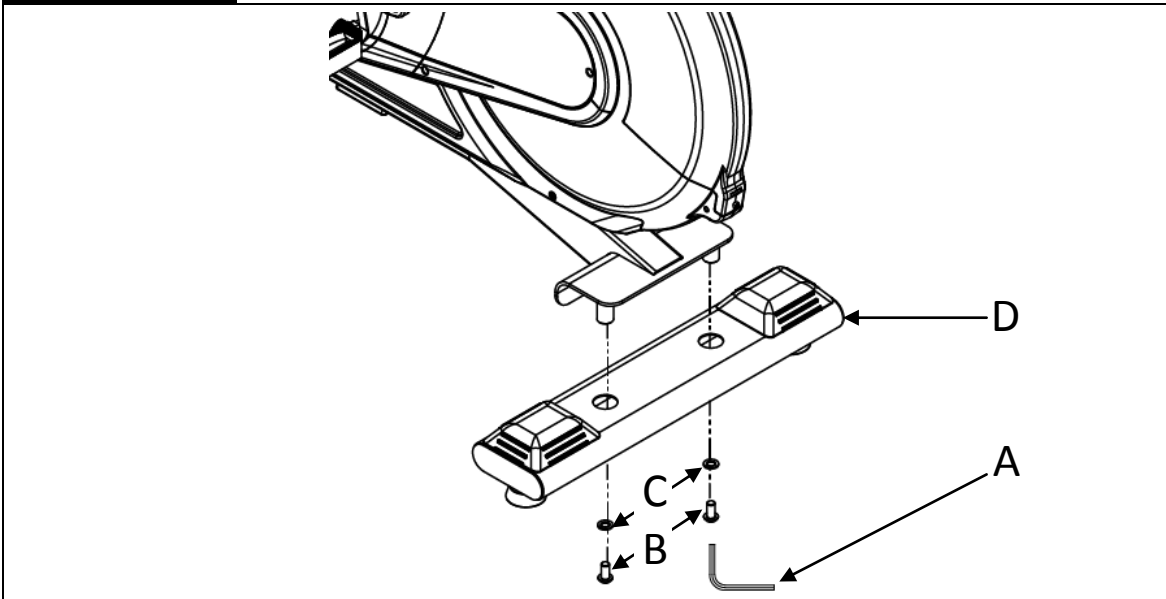
STEP 1 Assemble the Front Stabilizer Tube


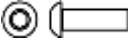

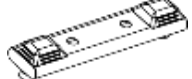


Parts in letters	Parts Images	Specification	# of part used
A		6mm Hex Wrench/Allen Key	1
B		Socket Button Head Cap Screw (M10×1.5×20L)	2
C		Spring Washer ($\varnothing 25 \times \varnothing 10 \times 2t$)	2
D		Front Stabilizer Tube	1

STEP 2

Assemble the Rear Stabilizer Tube

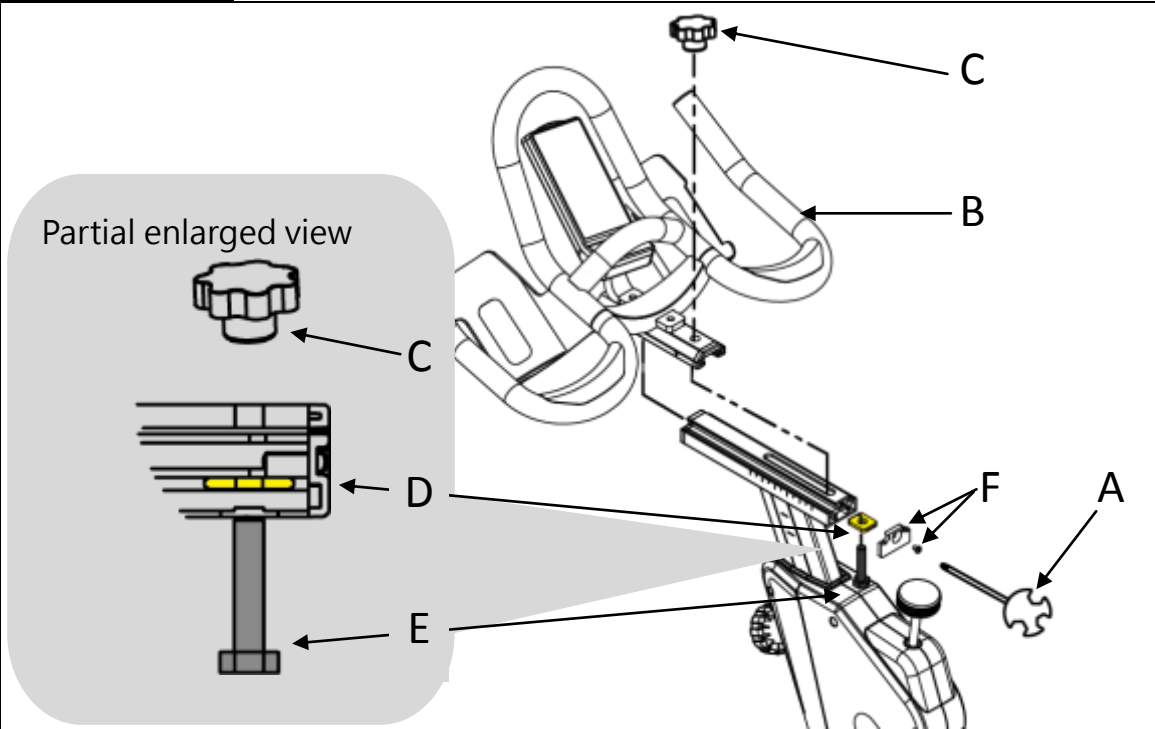






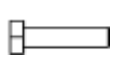
Parts in letters	Parts Images	Specification	# of part used
A		6mm Hex Wrench/Allen Key	1
B		Socket Button Head Cap Screw (M10×1.5×20L)	2
C		Spring Washer ($\varnothing 25 \times \varnothing 10 \times 2t$)	2
D		Rear Stabilizer Tube	1

STEP 3

Assemble the Handlebar

- 1) Please use **A** the screwdriver to remove **F** screw and end cap as shown in the picture below.
- 2) Place **D** Slide Gasket into the slide bar.
- 3) Place the **E** Hex Bolt from the bottom to top through the components and the **D** Slide Gasket, screw the **C** Adjustment Knob to the **E** Hex Bolt.
- 4) Please put the parts removed in STEP 1, the screw and end cap, back on and tighten.



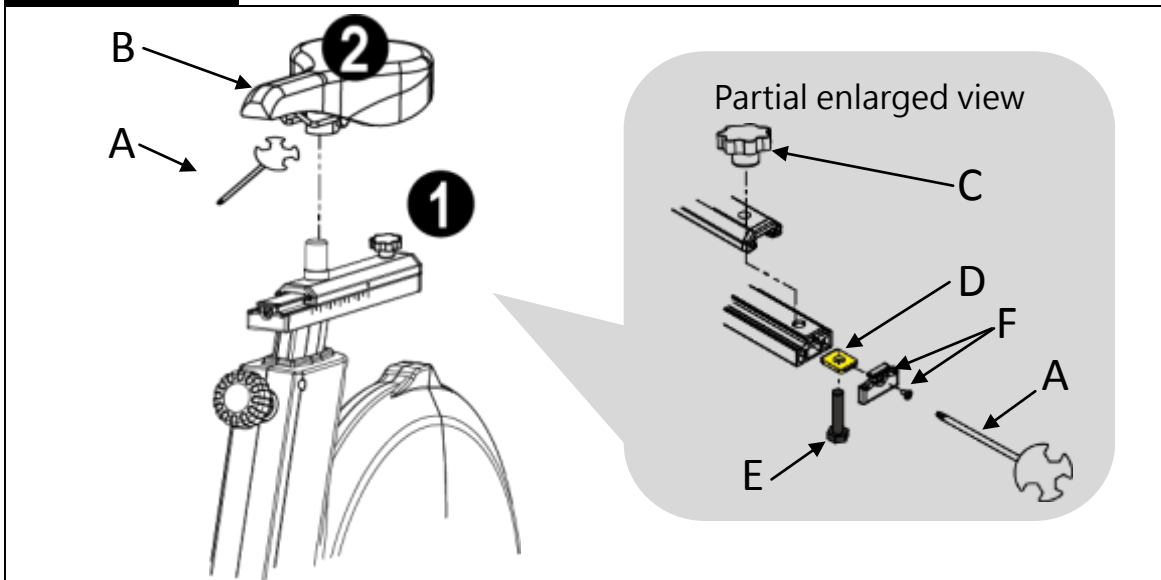
Parts in letters	Parts Images	Specification	# of part used
A		Open-ended Wrench/ Screwdriver	1
B		Handlebar (console installed)	1
C		Adjustment Knob	1
D		Slide Gasket	1
E		Hex Bolt (M10×1.5×40L)	1





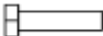
STEP 4

① Assemble Quick-release L Knob

- 1) Please use **A** Screwdriver to remove **F** screw and end cap as shown in the picture below.
- 2) Place **D** Slide Gasket into the slide bar.
- 3) Place the **E** Hex Bolt from the bottom to top through the components and the **D** Slide Gasket, screw the **C** Adjustment Knob to the **E** Hex Bolt.
- 4) Please put the parts removed in STEP 1, the screw and end cap back on and tighten.

② Use A the Open-ended Wrench to tighten the saddle

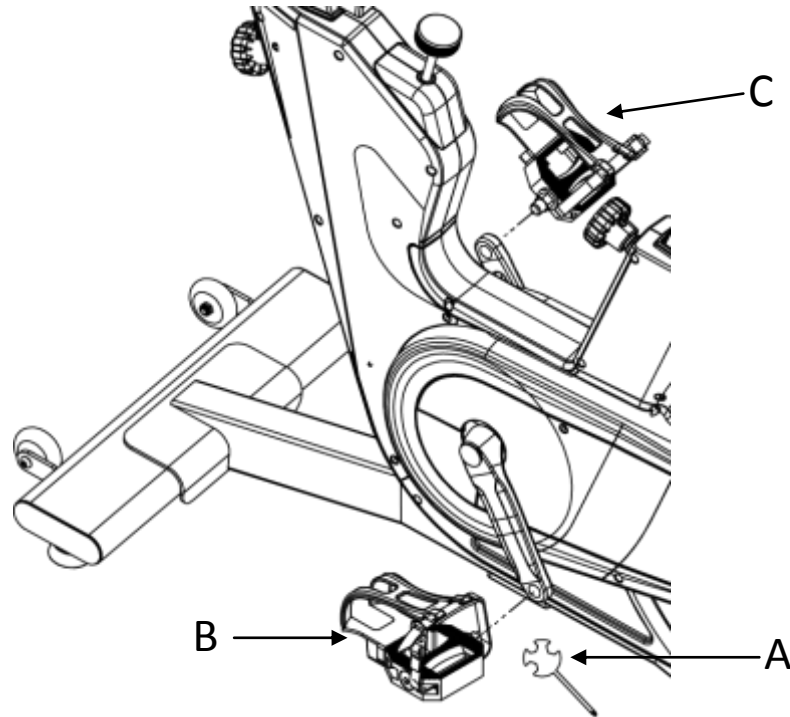





Parts in letters	Parts Images	Specification	# of part used
A		Open-ended Wrench/ Screwdriver	1
B		Saddle	1
C		Adjustment Knob	1
D		Slide Gasket	1
E		Hex Bolt (M10×1.5×40L)	1

STEP 5

Assemble the pedals

- 1) Please note that both pedals are reverse-threaded. Put the **B** left pedal into the left crank-hole and screw it in the counterclockwise manner.
- 2) Align the **C** right pedal into the right crank hole; in the clockwise manner, crank it tight with **A** open-ended wrench into the thread.
- 3) Please be sure that both pedals are tightened. Having loose pedals during activity will cause serious injury or death to the user.

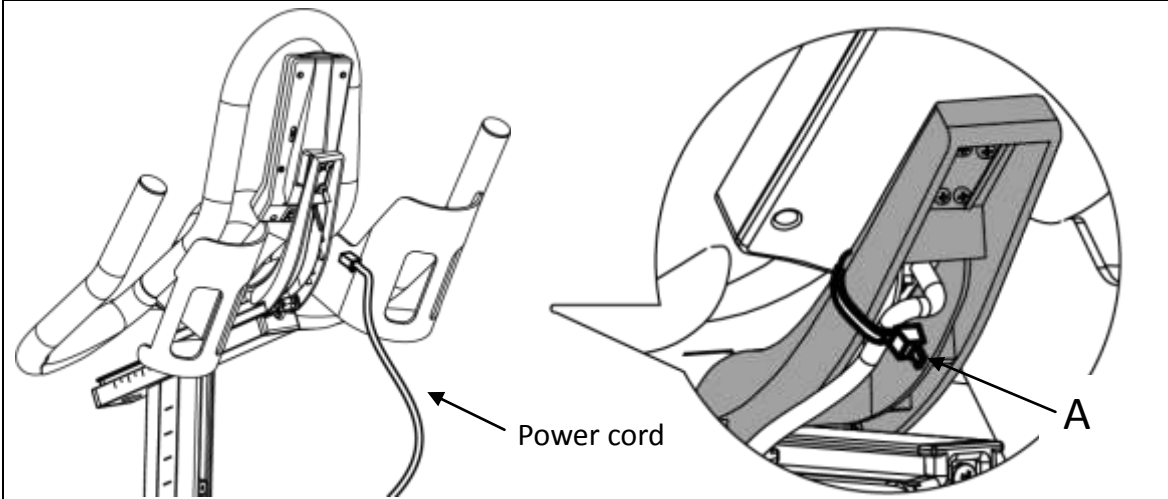



Parts in letters	Parts Images	Specification	# of part used
A		Open-ended Wrench/ Screwdriver	1
B		Left pedal	1
C		Right Pedal	1

STEP 6

Complete the assembly

- 1) Insert the power cord into the jack on the back of the console.
- 2) Please use **A** cable tie to tie the cable with the console stand to avoid damage or personnel injury caused by accidentally pulling the cord or hindrance of movement.



Parts in letters	Parts Images	Specification	# of part used
A		Cable tie	1

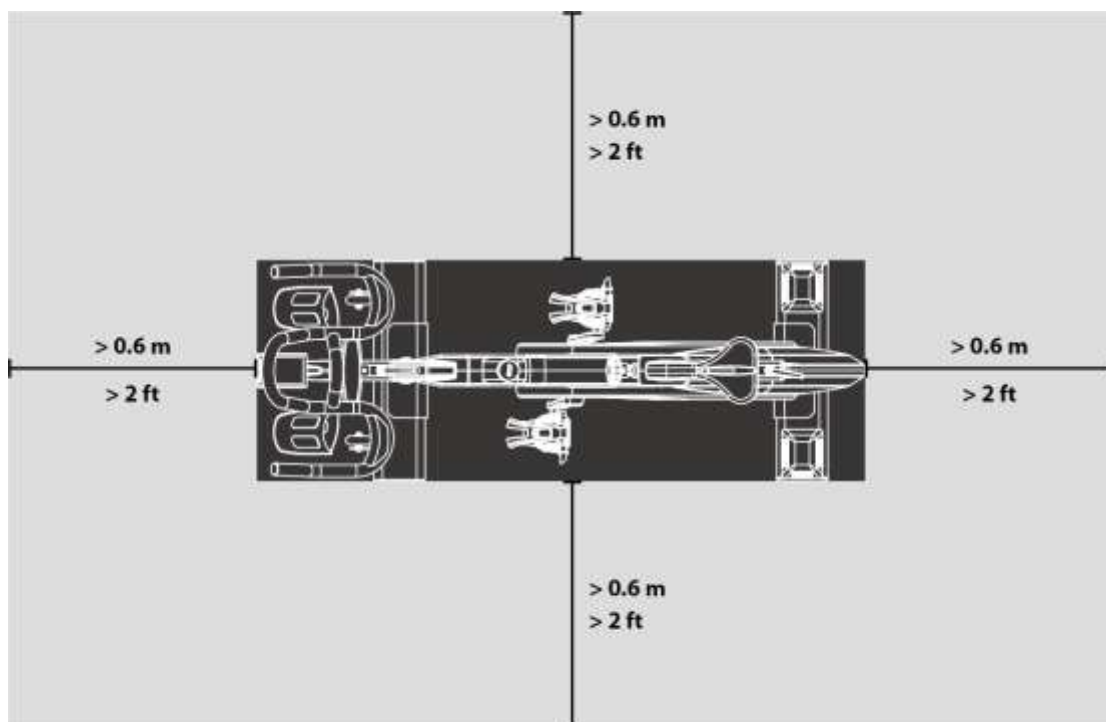
4 Preparation

Riding a spin bike is considered as intense aerobic exercise. To prevent possible injury, please evaluate your physical condition and be sure to do the following:

- 1) Please warm up properly before the workout.
- 2) Please stay focused during workout and maintain the correct posture. If you are using a tablet or other devices please ensure your own safety and be mindful of your posture to avoid any danger or injury.
- 3) Please train with guidance of fitness professionals and train step by step with proper process.
- 4) Please adjust your training time and intensity according to your own physical condition. Overtraining will cause chronic fatigue and/ or severe physical injury.
- 5) If you are experiencing any kinds of pain, nausea, dizziness, shortness of breath, etc., Stop exercising immediately and consult a doctor if the symptoms persist.
- 6) After workout please properly stretch and massage your muscles to reduce physical fatigue.

4.1 Placement of the Equipment

Please place the equipment on a level ground and avoid direct sunlight. Do not place it outdoors, in the garage, open yard, humid, and/or ventilated places. For safety purposes, please keep the equipment's surrounding clear for 2 ft (0.6 Meters) on all four sides.

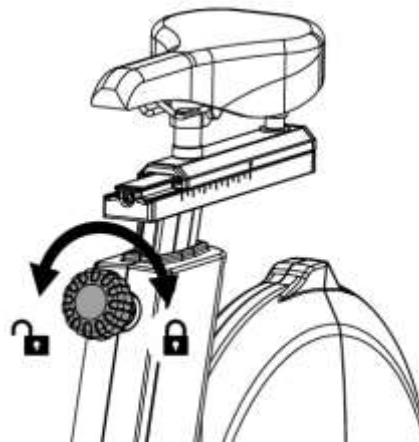


4.2 Adjusting the Training & Indoor Cycling

For your comfort and workout efficiency, please adjust the handlebar and saddle in accordance to your height.

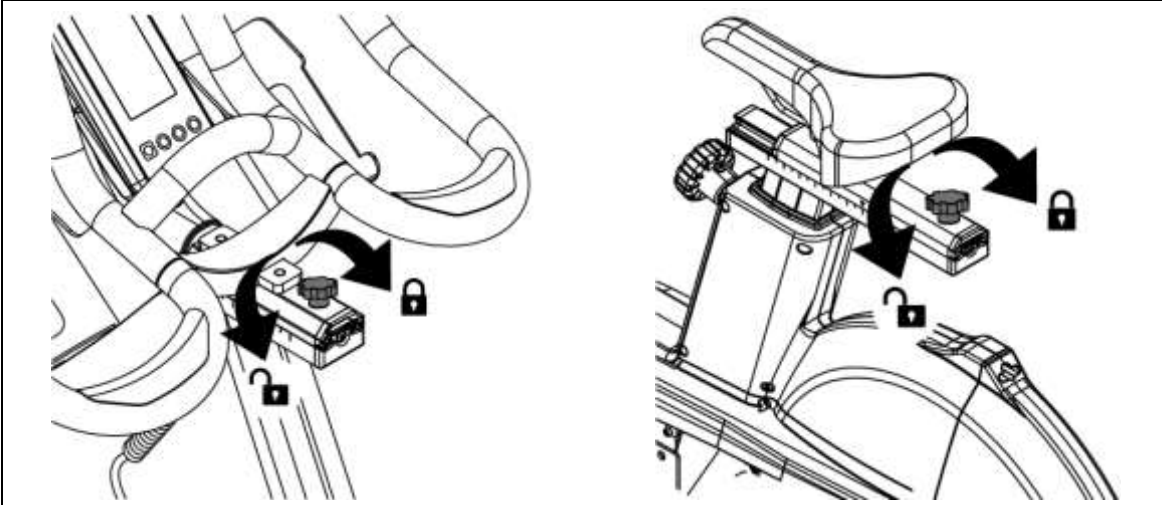


STEP 1 Adjusting the Saddle



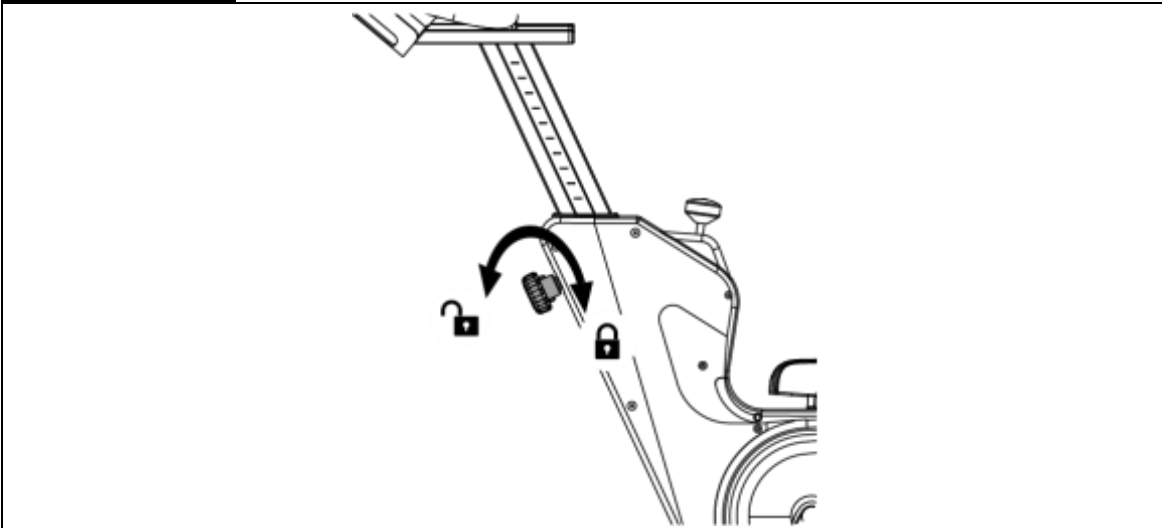
- 1) Turn the adjustment knob counterclockwise to loosen and pull the knob outwardly.
- 2) When you have pulled the knob, you can then pull up or adjust the saddle tube. Set the saddle at the in the height of your upper hip. Once all set, in the clockwise manner tightened the knob.
- 3) For beginners, if you are not used to the height of the saddle, you can adjust it by 1-2 scales lower.

STEP 2 Adjusting the Handlebar and Saddle



- 1) Turn the Adjustment Knob counterclockwise to release and push the handlebar and saddle to your preferred horizontal position.
- 2) The ideal distance between the saddle and handlebar is the length of your elbow to the tip of the middle finger; you can measure it by putting your elbow on the tip of the saddle horizontally to evaluate the distance. Once you are all set, you can turn the Adjustment Knob to the left and tightened it.

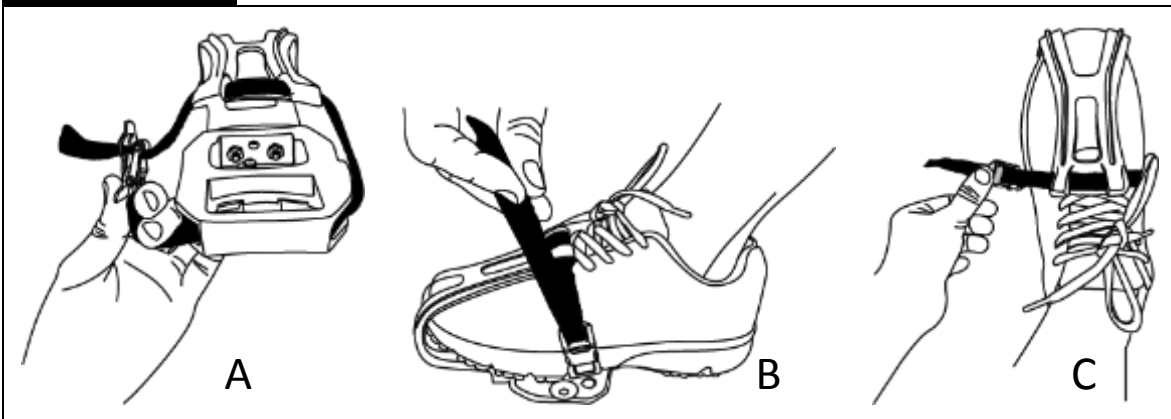
STEP 3 Adjusting Handlebar Height



- 1) Turn the knob counterclockwise, and pulled the knob outwardly.
- 2) As the knob is pulled, raise the handlebar to the equal height of the saddle. Once done, turn in a clockwise manner to tighten the knob.
- 3) When on the saddle, hold the handlebar with both hands.
- 4) You can also pull the handlebar slightly higher than the saddle and ride in a more comfortable posture. Once you are used to the exercise, you can then adjust the height to the same as the saddle.

STEP 4

Tightened and Release of the Pedal Straps



Start an activity

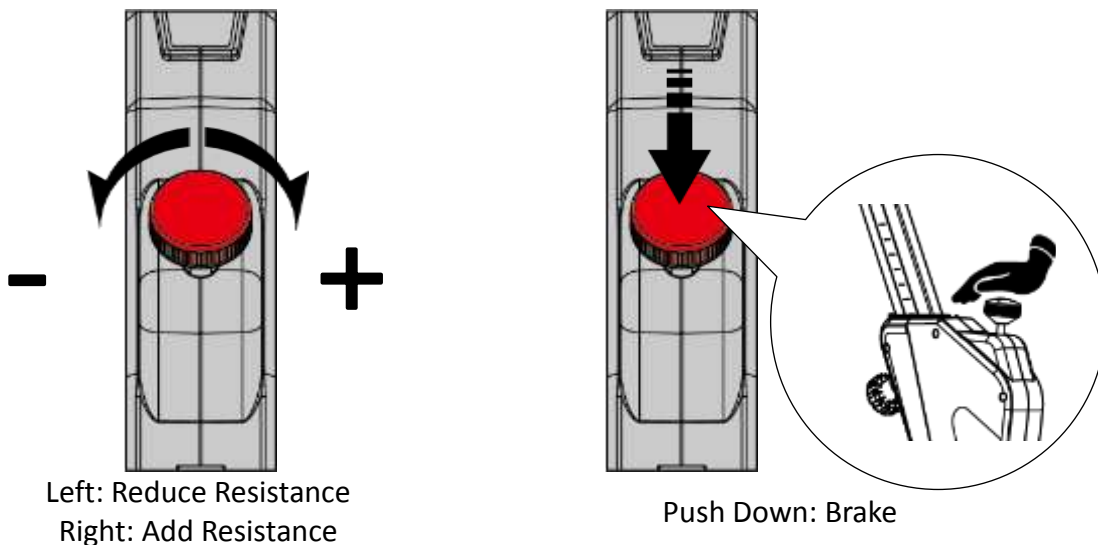
- 1) Buckle up the strap.(**A**)
- 2) Place your foot into the pedal cage.(**B**)
- 3) Pull up on the Pedal Strap to tighten the Pedal Cage, snug to fit.(**B**)

End an activity

- 1) Slow down or press the emergency brake to stop.
- 2) Once the wheel and the pedals have stopped entirely, push down on the buckle to release the pedal strap.(**C**)

4.3 Resistance/Brake

- 1) Before workout, warm up for at least 15 minutes. After warming up, you can start to speed up and/or increase the resistance level to meet your target zones.
- 2) You can adjust the resistance by turning the resistance knob. To reduce the resistance, please turn the knob in the counterclockwise manner toward the left; for greater resistance, turn in the clockwise manner toward the right.
- 3) If you would like to stop the pedals and the wheel, gradually push down the red resistance knob as a brake to slow down the pedals or press it all the way down to immediately stop the equipment.
- 4) When the bike is not being used, be sure to add on the full resistance (by turning to the right completely) to prevent it from spinning or causing any potential harm to the personnel around.


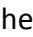


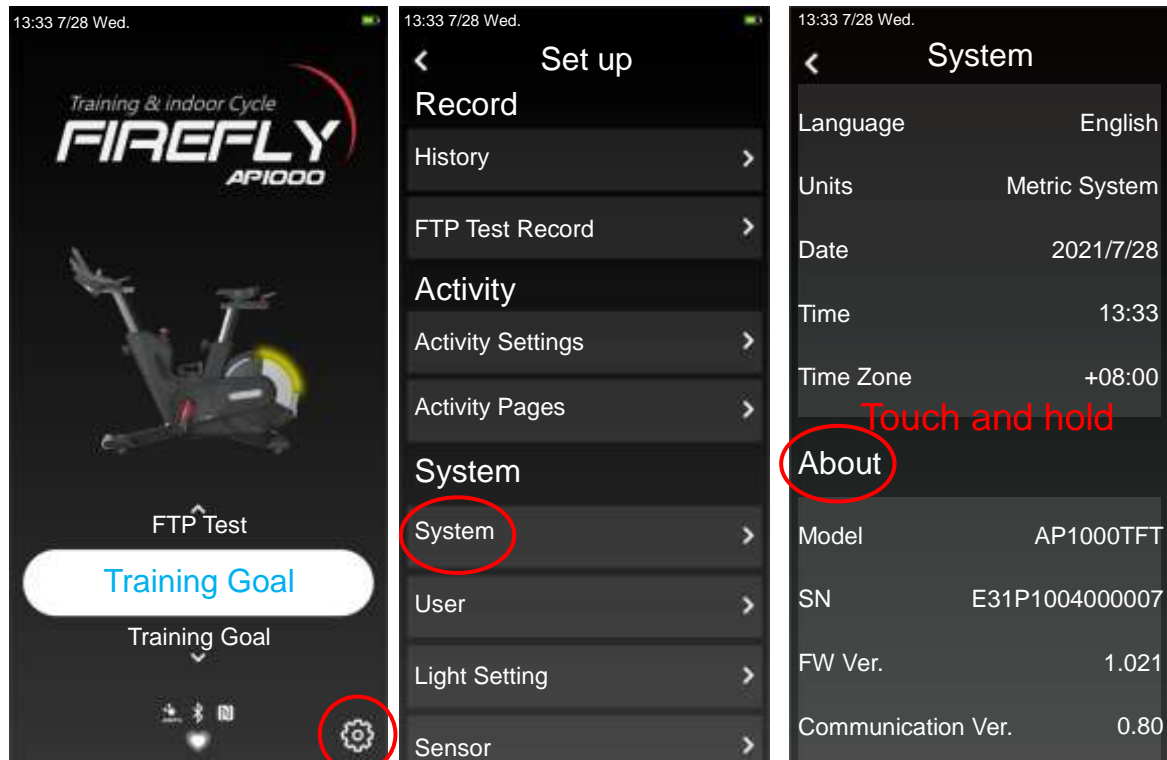
Warning!

This equipment is not designed with a freewheel. This means the momentum of the wheel may cause the pedals to turn even when you have stopped pedaling. **DO NOT** remove your feet from the pedal cages until the wheel and the pedals have stopped spinning completely. Failure to do so may cause serious injury or death.

4.4 Calibration Resistance Level

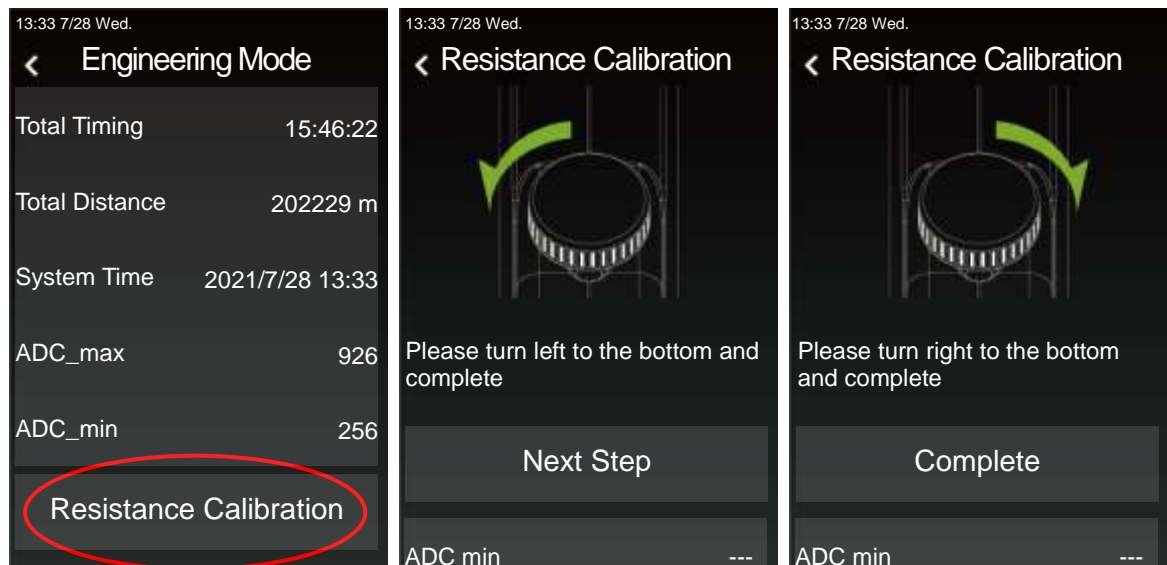
Please calibrate if the displayed resistance differed from your current operation with the knob.

- 1) Under Sleep Mode, **Press the button** to wake the screen.
- 2) Click on  on the bottom right corner to enter Settings Mode, then *select* [System].
- 3) *Touch and hold* on the [About] to enter Engineering Mode.
- 4) *Select* [Resistance Calibration], then follow the on-screen instructions.
- 5) After calibrations are finished, *select*  on the top left corner to exit.




Step 1, 2

Step 3



Step 4

 If you have any questions or the calibrations are failed, please contact the

4.5 Moving Guideline

This bike is very heavy, please be sure to use both hands when lifting it. Follow the instructions below to ensure your safety:

- 1) Be sure there is enough space in front of the bike so that you can move it in free spaces.
- 2) Be sure the pedals have stopped turning completely (turn the resistance knob all the way right to fix the wheels).
- 3) Crouched down as shown in figure 1, use both your hands to slowly lift up the rear stabilizer.
- 4) Once the rear side is tilted enough, you can start to move the bike by the front transportation wheels as in figure 2.
- 5) Once you have moved to your preferred spot, slowly and carefully put the rear end down to the floor.

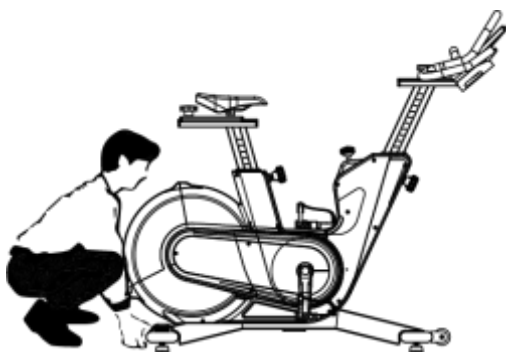


figure 1

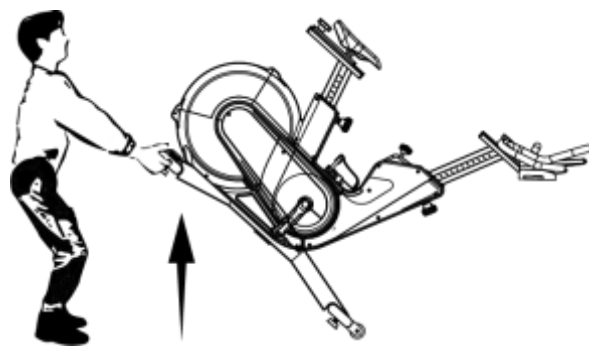



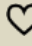

figure 2

5 The Electronic Console


The TFT console has only one button. Most operations could be done on the touch screen.

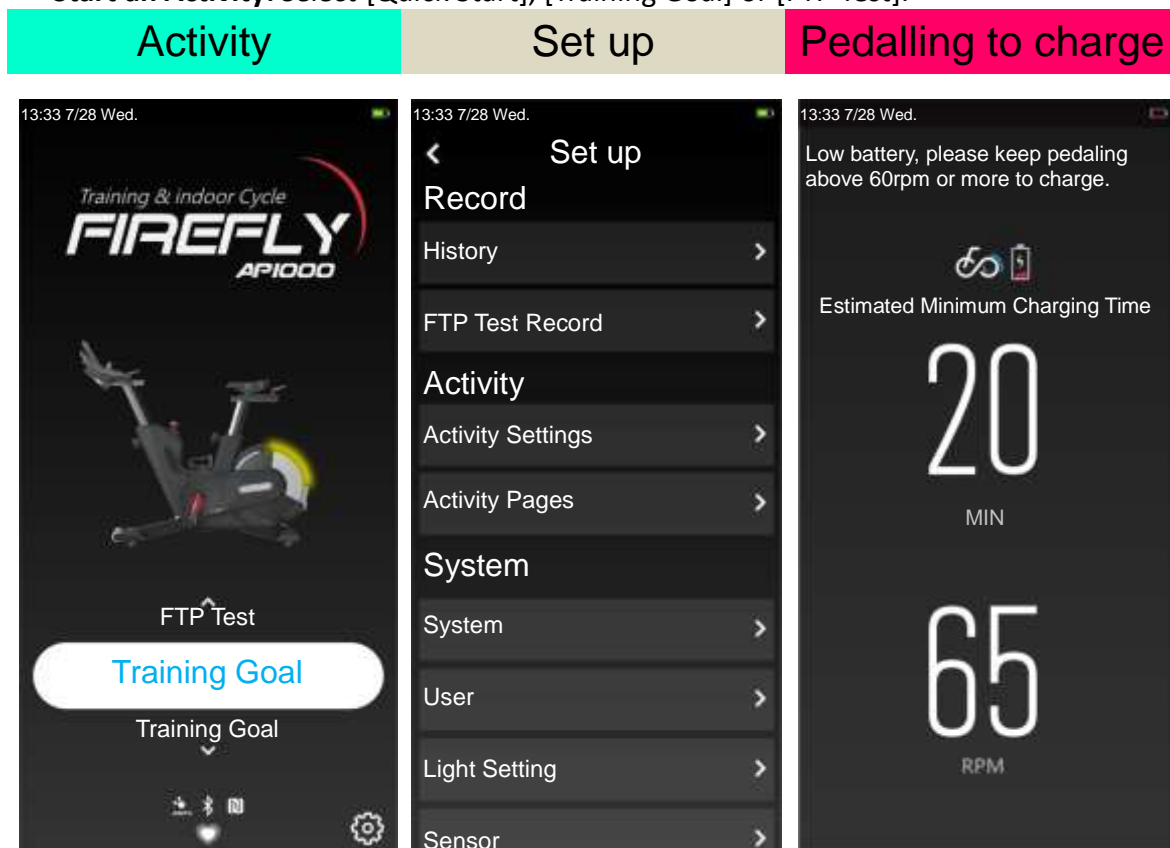


Footnote


- 1 The icon  indicates the console is connected with the APP or compatible Bluetooth device.
- 2 The icon  indicates the console is connected with the Heart Rate Monitor Device.
- 3 The icon  indicates the console is under Training Goal.
- 4 Please press and hold the button for 3 seconds to restart the console if any of the following occurs: when your screen has frozen or you are unable to operate the touch screen.
- 5 When using the Training Goal, you can view your set target by scrolling down from the top of the screen.
- 6 If you would like to end an activity, swipe up from the to pause or end.

Operation Overview

- Under Sleep Mode, **Press the button** to wake the screen.
- **Set up:** Click on  on the bottom right corner to view Record, Activity, or set up user profile, light, or editing sensor preference in System.
- **Start an Activity:** Select [Quick Start], [Training Goal] or [FTP Test].



Attention!

- The console consists of a lithium battery. Please charge the console with the charging cable before using it for the first time. The charging period is approximately 5 hours.
- Any time the low battery icon  appears along with black screen and the console turning off, please pedal with the cadence of 60rpm or more for 20 minutes, or charge it with the cable, until the screen resumes to the home page.
- When the console has entered the Low Battery Mode mentioned above, the current pedaling RPM and the minimum time to complete charging will appear on the black screen while you are pedaling. During this period, the console will not record your record or generate reports.
- The battery power will gradually drain when being left idle for too long. You can charge and maintain power by performing routine exercise on the equipment. The battery needs to be charged constantly through pedaling. If being left idle for 3 months or longer, the battery will be completely drained and will not function properly.
- When the cadence is lower than 60 rpm, the rear indicator will NOT be on. When


the cadence is higher than 60 rpm, it should remain consistently bright and is charging properly.

- If you discover the console's battery is running low, or could not be charged through pedaling, unplug the power cord and remove the console from the handlebar. Charge the console according to the instructions on [Appendix 8.3 Charging](#).


5.1 Set up Mode


5.1.1 Record

- History: You can view your previously saved activity record here.


 The console can store up to 40 of hours training, with each file reach up to 10 hours. When the storage is full, the deletion will begin with the oldest file recorded.

- FTP Test Record: You can view your past FTP test dates or set up new tests.

 The console can save up to 9 of test records. Once the storage is full, the deletion will begin with the oldest file recorded.


- *Select*  on the top left corner to exit.


5.1.2 Activity

- Activity Settings: Enabled **Auto Scroll**, set up **Automatic Segmentation** (to automatically mark a lap at a specific distance).
- Activity Pages: Set up your preferred content for data display fields.
- *Select*  on the top left corner to exit.

5.1.3 System


- You can select your preferred set up such as Language, Units (Metric or Imperial system), Date, Time, Time zone, etc.

 The **Time Zone** on the console is set UTC+08:00 by default. Please consult sources, such as [Wikipedia](#), or [Appendix 8.2World Time Zone Table](#) to set the right time zone manually. For instance, the time zone in Taiwan is UTC+8, *select* **+08:00**.


- You can check the Model Name, Serial number, Software Version on the console and restore the console to default settings (Restore Default Settings).
- *Select*  on the top left corner to exit.

5.1.4 User


- Please be sure to key-in the correct personal data, the console will use the provided data to measure and calculate your workout data.
- **Heart Rate Zone**: Please choose **Maxima Heart Rate method** (%MHR) or **Heart Rate Reserved** (%HRR). If you have selected the Heart Rate Reserved method, please key in both your maximum and resting heart rate.

 The Heart Rate Zone will separate your heart rate into five intensity zones. *Please see [5.4 Heart Rate Zone Indicator](#)*. Athletes often use the heart rate zones to measure their enhancement in cardiovascular endurance and determine their training results.


- **Functional Threshold Power (FTP)**: Please edit your FTP values. You can also acquire and insert your personal data via [Activity > 5.2.3 FTP Test](#).

 The FTP zone is divided into seven zones based on the percentage of the Functional Threshold power (See [5.5 FTP Zone Indicator](#)). It not only indicates the

training intensity and the power produced by pedaling, it is also a helpful basis for coaches and athletes to design their training menus.

- **Select**  on the top left corner to exit.

5.1.5 Light Setting


Set up the zone preference for **Rear Wheel** (Zone Indicator Light on the Wheel Cover), **Front Light** (Zone Indicator Light on the console) and **Activities Background**. Once done, **select**  on the top left corner to exit.


See below for zone preferences:



- **Heart Rate Zone:** When the activity begins, the light color changes according to your current heart rate intensity.
- **FTP Zone:** When the activity begins, the light color changes according to your current %FTP zone.
- **Power Change:** When the activity begins, the light color changes according to your current watt zone. (See [5.6 Watt Zone Indicator](#))
- **Off:** Turn off lighting options.

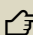
5.1.6 Sensor

The console is connectable with heart rate sensors with Bluetooth Wireless Connection and/or ANT+. You can add or remove sensors here.

Once you are done, **select**  on the top left corner to exit.

If you would like to remove a sensor, **select** .

 Once the sensor is added and connected,  will appear on the top right corner. When you start an activity, the console will automatically collect and record your heart rate data.

 If you have an NFC heart rate monitor, there is no need for you to pair your device in system. It should be automatically connected with the console. For more information *please see* [Appendix 8.4 Pairing with NFC](#).

5.2 Activity Mode

5.2.1 Quick Start

1) Start an Activity

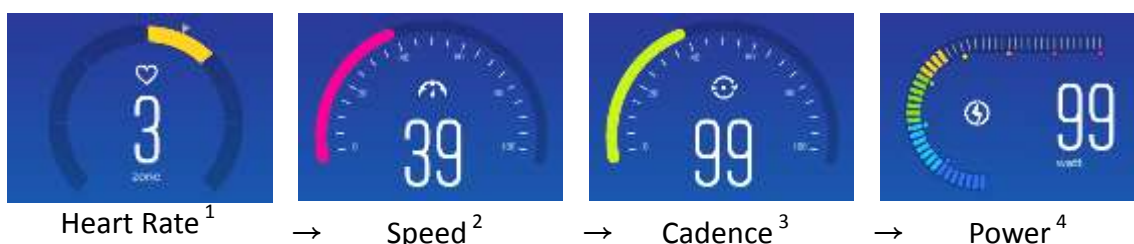
- 1-1) Under Sleep Mode, **press the button** to wake up the console.
- 1-2) *Select* [Quick Start].
- 1-3) If you are using a heart rate monitor, make sure it is properly added and connected.

👉 If you have added and connected a heart rate device via [Set up > 5.1.6 Sensor](#) > Heart Rate Sensor, the console will automatically connect with your sensor. When you start an activity, wait until ❤️ appears on the top right corner to start pedaling.

- 1-4) Start pedaling.

👉 Once you start to pedal, the console will record the elapsed time automatically. If no action is taken and the screen is left idle over 20 seconds, the console will turn off automatically after a 9-second countdown. If you would like to maintain the current display, click anywhere outside the message box to turn it off.

2) During activity: *Swipe left or right* to view different real-time data.



👉 Press and hold for 2 seconds on the data field to change to the data you preferred to display.

3) To pause the activity: please **slow down your pedaling speed or press the brake**. The display time will stop automatically once the pedaling has stopped.

- If you would like to resume, please continue pedaling.
- If you would like to prolong the pausing time, *select +30"* (Sec.) or *+60"* (Sec.).

👉 The longest pausing time in total is 300 seconds. Once the countdown is over and no further action is taken, the activity is automatically over.

4) To End the activity: *Swipe up from the bottom of the screen* > *select* [Finish Exercise].

5) View your activity summary :

- *Select* 📍: View Activity Report.
- *Select* 📈: View training graphics.
- *Select* 📱: Scan the QR Code with your mobile device > log in to gptfit.com to store your record on the cloud.

👉 When you register on gptfit.com you can save your uploaded record in the cloud based platform under your account. This allows you to cross examine your data from time to time and share it on [STRAVA](https://www.strava.com).

- *Select* 🗑️: Delete this activity record.
- *Select* [Exit]: Select to close the summary page, or exit the page after the automatic 30-second countdown.



Footnote

- 1 Heart rate can only be displayed when a Bluetooth or ANT+ heart rate device is properly paired.
- 2 The unit for Speed is KPH (km/h) or MPH (mi/h). Distance is displayed in either km or mi. See [Set up > 5.1.3 System > Units](#) for more information on changing the units.
- 3 RPM Page demonstrates the cadence per minute, which is the revolution rate of the crank per minute (rpm).
Ex. 60 rpm is 60 revolutions/min
- 4 A build-in power meter can transform your pedaling input into Watt rate.
Power Accuracy:
Input Power ≥ 50 Watt is within $\pm 10\%$
Input Power < 50 Watt is within ± 5 Watt
- 5 When the elapsed time is less than 60 min, the display will indicate **MM : SS** for Minute : Second.
When the elapsed time exceeds 60 min, then **H : MM : SS** for Hour : Minutes : Seconds.

5.2.2 Start with Training Goal

1) Start an Activity

- 1-1) Under Sleep Mode, ***press the button*** to wake up the console.
- 1-2) *Select* [Training Goal].
- 1-3) Follow the instructions on the screen to add or edit your targets.
- 1-4) *Select* [Start].
- 1-5) Once you have completed the instructions above, follow the steps on [5.2.1 Quick Start](#) to continue.

- ☞ When an activity begins, scroll down from the top of your screen to view your set targets.
- ☞ A message will pop up when you have accomplished 10% of your target goals or when the data is exceeding or lower than the set goals.

5.2.3 FTP Test (Functional Threshold Power Test)

- 1) Under Sleep Mode, **press the button** to wake up the console.
- 2) *Select* [FTP Test].
- 3) *Select* [Start].
- 4) Please follow the onscreen instructions:

STEP 1 Warm up for 10 minutes: Keep pedaling steadily while maintain your heart rate between zone 2 and 3.


STEP 2 Rest for 5 minutes: Easy cadence, lower your heart rate back between zone 1 and 2.

STEP 3 20 minutes of all out effort: Increase your cadence and resistance until your heart rate has reached between zone 4 and 5.

STEP 4 Cool down for 5 minutes: Easy cadence.

- 5) Testing Result: *Select* [Save FTP], you can find your saved result in [Set up > 5.1.1 Record > FTP Test Record](#).

Attention!

- FTP testing is a challenging and high intensity activity. Please be sure to warm up properly and evaluate your own physical condition.
- If you have experienced any discomfort during the testing process, please slow down. Scroll up from  at the bottom of the page to terminate the testing.
- Please continue cycling after the testing is over until your heart rate has returned to under 100 bpm.
- The FTP test takes approximately 40 minutes. The result came from the maximum average power in **STEP 3** x 0.95. The testing result will NOT be count as part of the activity data and you won't be able to save the report via cloud or scan a QE code.

5.3 Application and Compatibility

1) Pair, Connect, and Start Your Activity.

1-1) Scan the QR code to install **Ala Fitness**.

System Requirement:


- iOS 11.0 or later
- Android 5.0 or later
- Built-in Bluetooth 4.0 or later



1-2) Please turn on Bluetooth on your mobile device.

1-3) Open **Ala Fitness**.

1-4) Follow the on screen instructions to register on **Ala Fitness** and set up User's Profile.

 Please be sure to key in accurate personal information. The system would need the accurate data to provide personalized analysis and training data. By default, your provided data is not accessible to the public.

1-5) **Ala Fitness**: *Swipe left* and *select* [Spin bike].

1-6) If you have heart rate devices, *select* [Heart Rate Sensor].

1-7) *Find and select* the serial number or ID number of your device to connect to **Ala Fitness**.



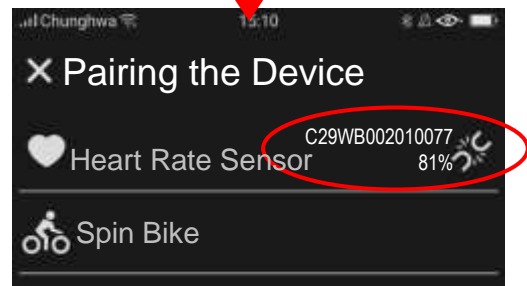
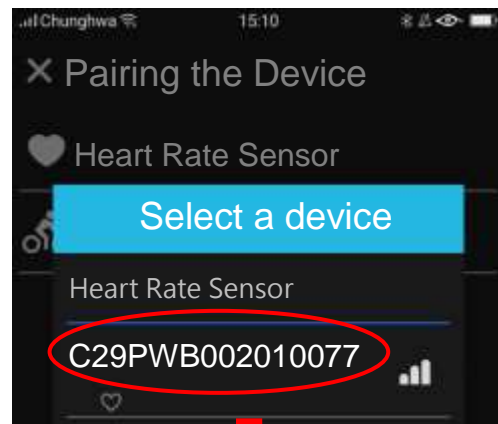
Heart Rate Chest Strap or




Optical Heart Rate Armband or



GPS Watch



 **Ala Fitness** is compatible with Bluetooth heart rate devices. See [7 Specification](#) to select compatible accessories.

Once you have connected your heart rate monitor, follow the instruction below to connect your bike with **Ala Fitness**.

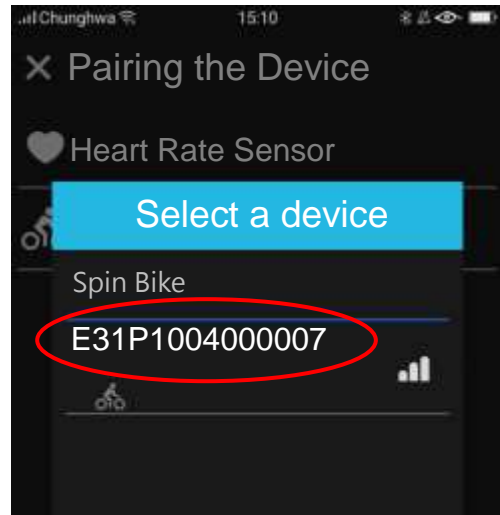
1-8) **Ala Fitness:** *Select* [Spin Bike].

1-9) On the Console: *Press the button* to wake the console.

1-10) From the Search bar on your mobile device, *select* the serial number printed on the QR Code sticker on your bike.

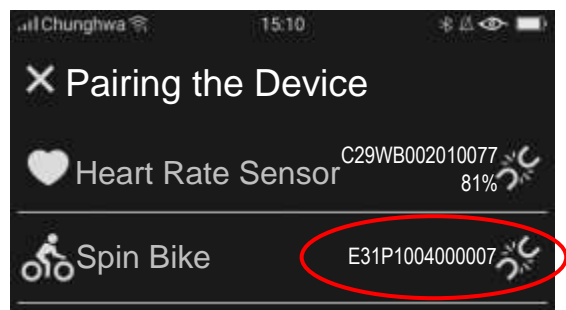


You can find the serial number on the front right side of your bike.



Select the serial number printed on the QR Code sticker on your bike.

1-11) Once the pairing is successful, it will show on both the console and **Ala Fitness**.



2) **Start an Activity:** On **Ala Fitness**, *select* [Next Step] > [Start] then you can start pedaling.



3) **During an Activity:** *Swipe left or right* on **Ala Fitness** to view real-time data.


4) **End an Activity:**

4-1) To stop the spin bike, stop pedaling or press the brake.

4-2) **On Ala Fitness:** *Select* [Unlock]> [Pause] > [Stop] to end the activity.

4-3) *Swipe left or right* on **Ala Fitness** to view workout summary.

4-4) If you would like to save this record, *select* . If you would like to discard, *select* .

 Data saved by the app will be stored on cloud but not the console. To view your workout report and data, sign in to gptfit.com.

5.4 Heart Rate Zone Indicator

It doesn't matter if you are a well-trained professional athlete or an office worker with mainly sedentary lifestyle, using the heart rate indicator to measure workout intensity is healthy, safe, and efficient. When you set up your lighting preference in [5.1.5 Light Setting](#) as **Heart Rate Zone** the background on screen, console light, and/or rear light will change color according to your current heart rate zone.

The Heart Rate Zone can measure your training intensity and the effort you put in on each stage.

Light	Heart Rate Zone		Training Intensity%		Effort	Feel	Training Functions	Purpose
			%MHR	%HRR				
Blue	<Z1	Daily Life	~50	~55				
Cyan	Z1	Warm Up	50~60	55~60	Easy	Fully relax	Facilitate warm-up & energy recovery	Get fit
Green	Z2	Fat Burn	60~70	60~65	Steady	Talking while exercising	Improve metabolism	Lose excessive weight
Yellow	Z3	Aerobic	70~80	65~75	Moderate	Tired & hard to keep talking	Enhance aerobic power	Aerobic fitness
Orange	Z4	Anaerobic	80~90	75~85	Hard	Feeling strenuous, can't talk comfortably	Increase speed & lactate threshold	Get faster & stronger
Red	Z5	Maximum Effort	90~	85~	Very Hard	Out of breath & short heartbeat	Explosive power	Explosive power

Warning!

- Heart rate monitors may be inaccurate for certain individuals or under some circumstances. The heart rate may display as higher or lower than the actual heart rate for individuals of certain physical features or under certain special activity.
- The heart rate device is for your reference only; it is not a medical device. Overtraining may cause serious injury or death. If you are experiencing any discomfort, please stop exercising immediately.

Tips

- To enable this function, you need a Bluetooth or ANT+ Heart Rate Device to connect to the console.
- HR Zone is one of the most common intensity indicators. The data is based on the two following heart rate measurement methods:

$$\%MHR = (220 - \text{User's Age}) \times \text{Intensity percentage}$$

$$\%HRR = (\text{Max. HR} - \text{Resting HR}) \times \text{Intensity percentage} + \text{Resting HR}$$
- The will by default apply Max.HR for the heart rate zone indication. You can adjust the setting and manually set up your Max. HR and Resting HR. See [Set up > 5.1.4 User > Heart Rate Zone](#).

5.5 FTP Zone Indicator

Power is one of the most efficient and scientific ways to measure the intensity in cycling training; the unit is Watt. It is commonly used by professional trainers and athletes as an indicator for their improvement. The FTP is definitely a helpful system for both aerobic and anaerobic training.

When you set up your lighting preference in [5.1.5 Light Setting](#) as **FTP Zone**, the screen background color, console light, and/or rear light will change color according to your current %FTP.

Through the FTP Zone, you can measure your training intensity and how much force your body has inserted during the workout.

Light	Power Zone		Training Intensity% (%FTP ¹)	Levels
Blue	Z0	Recovery Zone	0~100	Lowest
Cyan	Z1	Endurance	101~150	Low
Green	Z2	Tempo	151~200	Med-Low
Yellow	Z3	Lactate Threshold	201~250	Medium
Orange	Z4	VO2 Max.	251~300	High
red	Z5	Anaerobic	301~350	highest
Magenta	Z6	Maximal Effort	351~	Extreme

Reference: [Peaks Coaching Group, Training Peaks](#).

Warning!

- Please warm up for at least 15-20 minutes to allow your body to adjust to the intense FTP training.
- It is highly recommended for beginners to seek professional guidance before attempting high intensity training. Attempting intense training prior to any related training or guidance will cause severe energy chronic fatigue and serious injury.
- If you feel faint or any other discomfort, please stop exercising immediately.

Tips

- The default FTP rate is 200. Please adjust in accordance with your own physical condition and insert your personal maximum average rate, see [Set up > 5.1.4 User > Functional Threshold Power \(FTP\)](#).
- When you have input the higher force onto the pedals, with faster revolution, or have increase in resistance, the power rate will increase.



Footnote

- 1 **%FTP** = Functional Threshold Power × Power Percentage.

The power has been divided to 7 levels and can be used for various training purposes and workout menus.

- 2 **FTP** stands for Functional Threshold Power. It is the average of power generated after one hour of stable full-strength cycling. The idea was introduced by fitness coach Hunter Allen and Dr. Andrew Coggan in 2012. See [Activity > 5.2.3 FTP Test](#).

5.6 Watt Zone Indicator

When you set up your lighting preference in [5.1.5 Light Setting](#) as **Power Change**, the screen background color, console light, and/or rear light will change color according to your current Watt Zone.

Light	Watt Zone	Watt Range
Blue	Z0	0~100
Cyan	Z1	101~150
Green	Z2	151~200
Yellow	Z3	201~250
Orange	Z4	251~300
Red	Z5	301~350
Magenta	Z6	351~

Warning!

- Please warm up for at least 15-20 minutes to allow your body to adjust to the intense FTP training.
- It is highly recommended for beginners to seek professional guidance before attempting high intensity training. Attempting intense training prior to any related training or guidance will cause severe energy chronic fatigue and serious injury.
- If you feel faint or any discomfort, please stop exercising immediately.

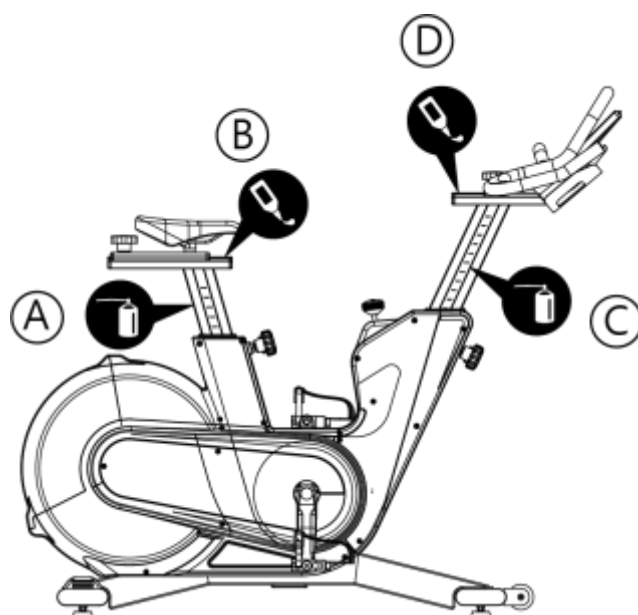
Tips

- When there is more force being added to the pedals, an increase of the rpm on the crank, or more resistance is added the watt rate will be higher.

6 Maintenance

To ensure the safety of the user and prolong the equipment's life cycle, the bike needs to be inspected and maintained on a regular basis. Please read and follow the instructions below. If you have any questions regarding the maintenance of the equipment, please contact customer service or your distributor.

Frequency	Action
Daily	Check and ensure the equipment is steady.
Before use	Check parts that are most susceptible to wear are not damaged or broken (Pedal Straps, Pedal Cages).
After use	Use a slightly damp cloth to clean on the saddle and handlebar.
Weekly	Wipe down and thoroughly clean the bike using soft damp cloth.
Biweekly	<ul style="list-style-type: none"> ● Test if the brake functions properly. Testing method: Press the red emergency brake while pedaling. The flywheel should slow down (when being pushed down gradually) or stop completely (when being pushed all the way down). ● Inspect if there is any damage on the pedal straps. ● Lubricate the saddle and handlebar posts according to the image below (A, C). Pull up the saddle and handlebar posts to the highest position and spray the silicone-based lubricant on the surface. Wipe the entire post with soft cloth. Once done, set the post back to normal position and tighten the knobs. ● Lubricate the handlebar and saddle slide bars (B, D). Release the slide-bars, remove any foreign objects (if any) on the slide bar and use a soft cloth to apply a small amount of silicon grease. Once complete, put the slide bar back to normal position and tightened the knobs.



 **Attention!**

- If you have discovered any damage, torn or missing parts, or malfunction, **DO NOT** use the equipment until the issue is fully solved. Contact your distributor immediately for certified maintenance.

7 Specification

Model	FireFly AP1000
Series	P1004
Size	L 1340×W 530×H 1060mm / L 52.7"×W 20.9"×H 41.7"
Weight	50 kg / 110 lb.
Max. User's Weight	159 kg / 350 lb.
Applicable User's height	150 to 200 cm / 5 ft 9 in to 7 ft 87 in
Brake System	Magnetic Resistance
No. of Levels	20 Levels
Electricity	Generator (self-generated)
Shipping Size	L 1400×W 300×H 815mm / L55"×W11.8"×H32.1"
Screen	5.5" TFT Touch Screen
Heart Rate Monitor	Bluetooth [®] ANT+ [®] NFC [™]
Wireless Technology	Bluetooth Low Energy FTMS Profile
Reading in Display	Time, Distance, Speed, Heart Rate, Calories, Cadence (rpm), Watt
Cloud Integration	GPT fit
Application	Ala Fitness App
Compatible Application	Zwift App
Selective Accessories	ALATECH Heart Rate Chest Strap CS009/CS010/CS011/CS012 ATTACUS Optical Heart Rate Armband Obeat1/Obeat3 ATTACUS GPS Watch Star ONE/Star 2

Manufacturer

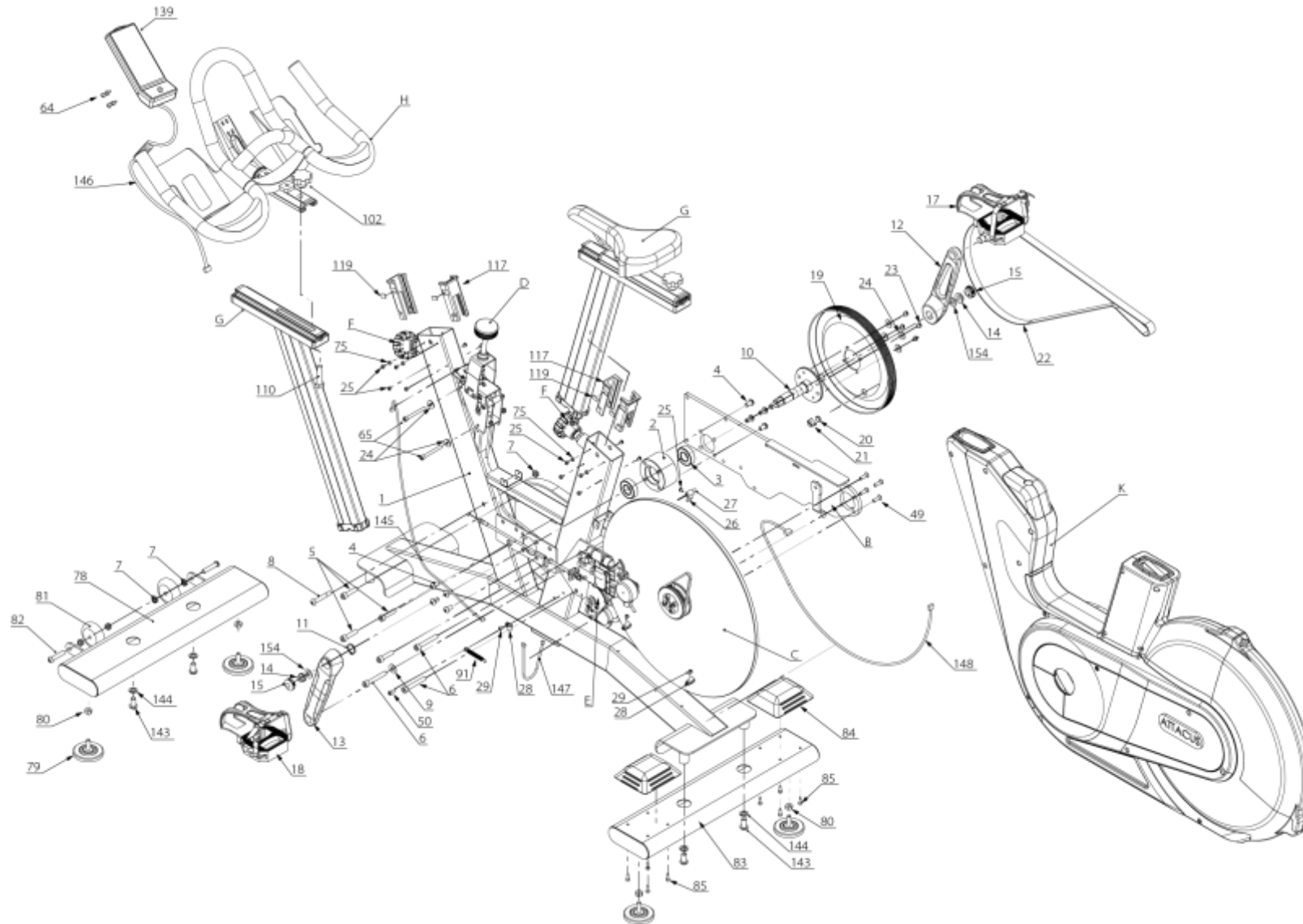
ZHEJIANG ALA FITNESS TECHNOLOGY LTD.

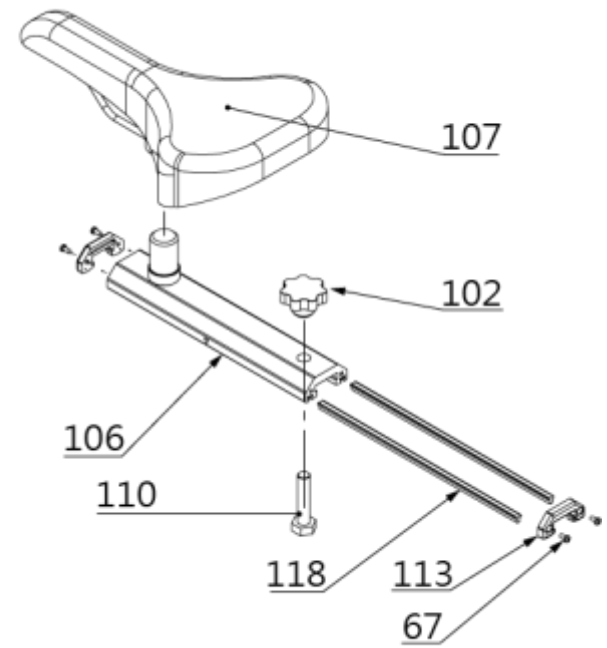
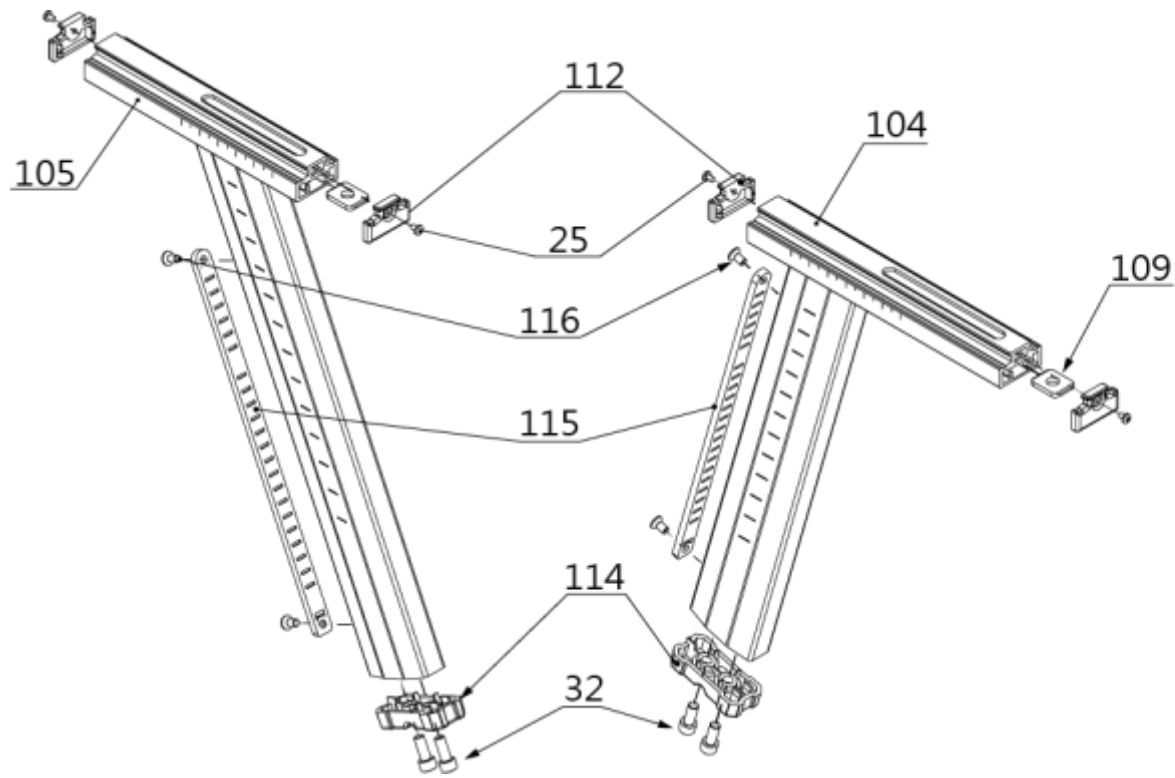
No.405 Tongxin Road, Tongxiang Economic Development Zone, Zhejiang 314500, CHINA

Tel: +86-573-8862 8666

8 Appendix

8.1 Exploded View





8.2 World Time Zone Table

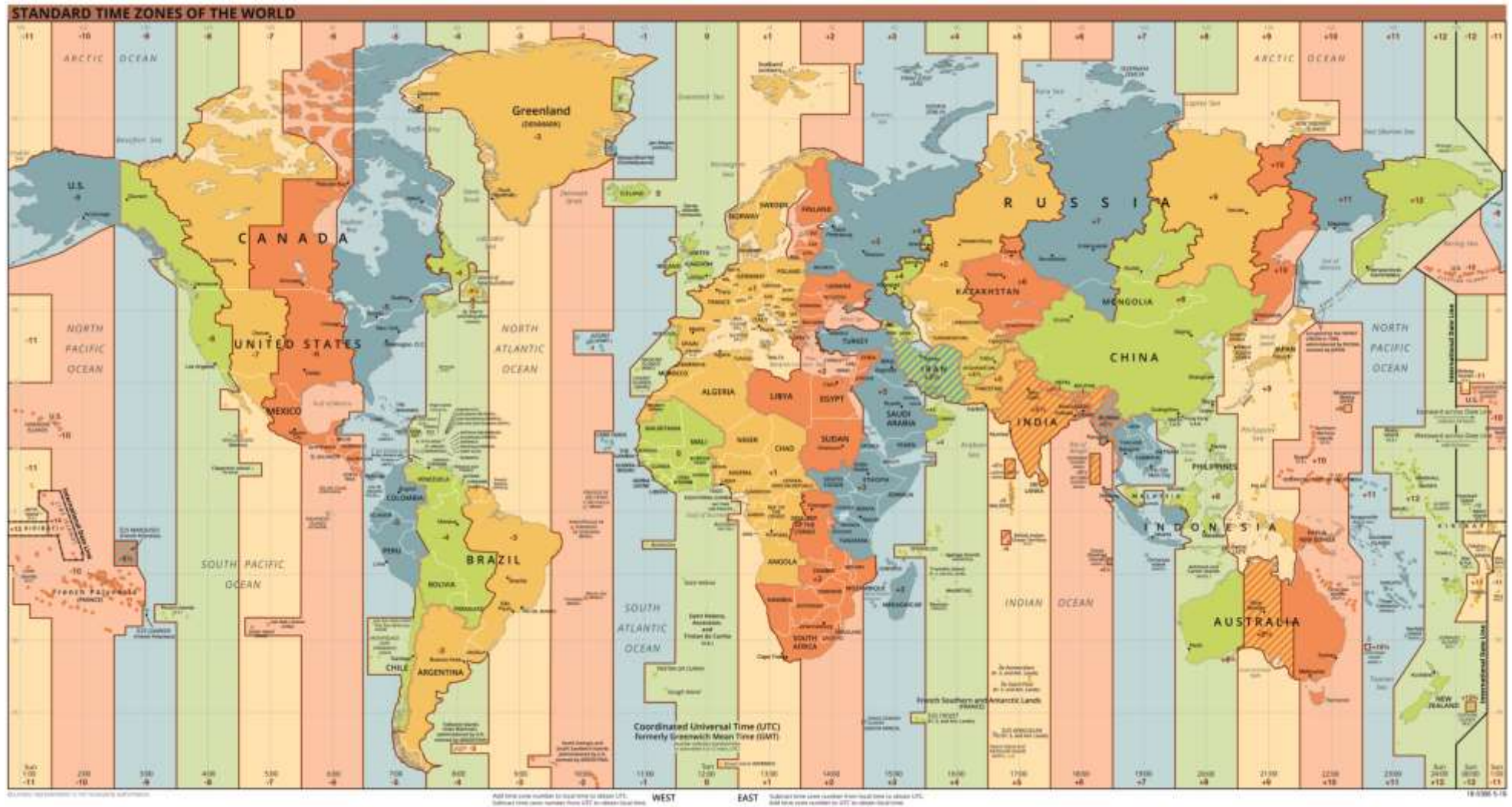

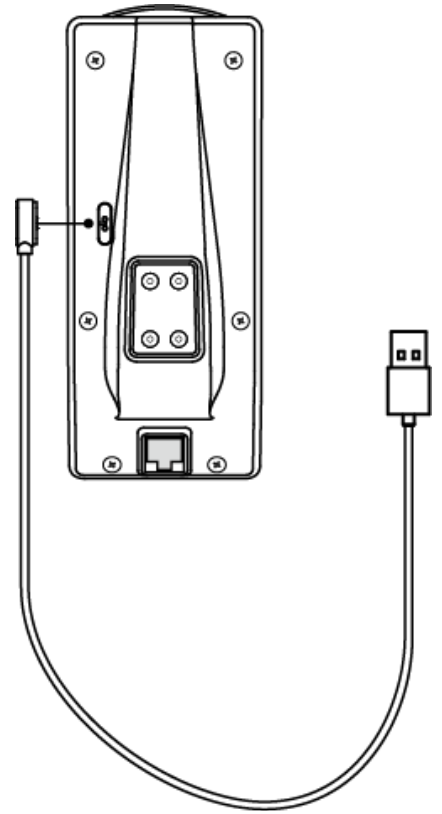


Image copyright is owned by TimeZonesBoy-CIA. Source: [Wikipedia](https://en.wikipedia.org/wiki/Standard_time_zones_of_the_world).

8.3 Charging

The electronic console contains a lithium battery, if the battery is low, please charge the console immediately.


1. Please remove the console from the handlebar.
2. **Press the button** to wake up the console.
3. Plug the connector of the charging cable to the charging port on the back of the console and insert the USB connector to a USB charger.
4. Charge the console until the battery icon  shows it is fully charged.
5. Once the console is fully charged, unplug the charging cable and screw the console back to the handlebar. Plug in the power cord to the jack on the back.

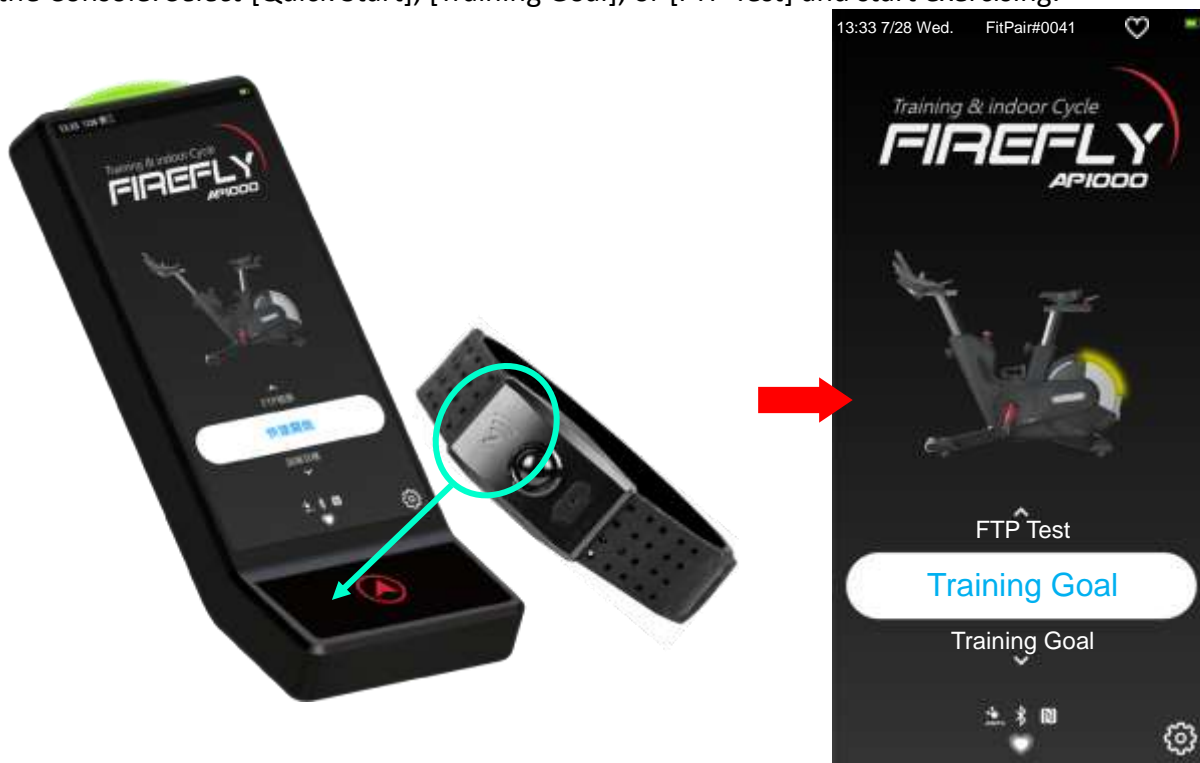


8.4 Pairing with NFC

NFC¹ is a technology that builds quick and short-distance wireless connection between Bluetooth-enabled devices. If you have an NFC heart rate monitor, all you need to do is place the device close to the console. It will automatically transfer the heart rate data over.

Below is a demonstration of NFC pairing with the **ATTACUS** Obeat3 Armband:

1. Turn on both your sensor and console².
2. Touch the front side of the armband on the left side of the console button. Once connected, the icon  will appear on the top right corner.
3. On the Console: *Select* [Quick Start], [Training Goal], or [FTP Test] and start exercising.



Footnote

1. NFC Tag (Passive).
2. Once you start pedaling, the NFC detection will be closed after 1 minute; it is recommended that you pair the device first before you start pedaling.



attacusfitness.com

Designed by ALATECH Technology Limited. Made in China.